

t-max

MOBILE MIXERS

www.t-max.com.tr

Ideal for batch mixing the ergonomic design of the CM Mixer, which is mounted on telescopic is ideal within the plastic processing industry. Material is handled in an easy and efficient manner. Furthermore, the cover can be easily removed making it ideal and comfortable for cleaning purposes.

The design allows the vacuum of the material to be loaded through an external hopper loader - ideal for material handling!



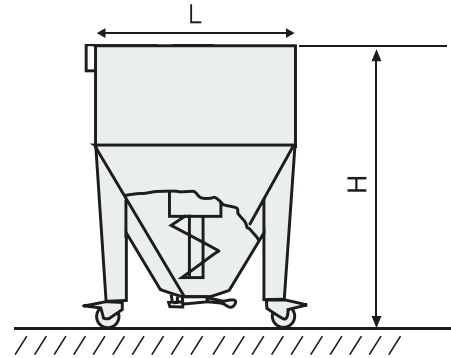
Mixer with Screen

Model	TX-SM 70 Cr	TX-SM 120 Cr	TX-SM 200 Cr	TX-SM 300 Cr
L (mm)	600x600	700x700	800x800	900x900
H (mm)	900/1100	1050/1235	1200/1600	1200/1600
Capacity	70kg	120kg	200kg	300kg

Mixers complete with:

electric control panel: for continuous rotation or pause - run.

It is excellent for mixing the material; it replace the old drums. It is equipped with a practical system which sucks the material to be transferred to the machine tool. Side machine mixers with electrical box (continuous rotation or with timer) and security switches installs on the charging door and on the discharging door placed on the lower part of the mixer.



Mixer with touch screen control



Safety switch



Name plate



Flange for hopper loader

t-max

Tepro Makina ve Otomasyon Sistemleri San. ve Tic. A.Ş.
İnönü Mah. Gebze Güzeller OSB, Nursultan
Nazarbayev SK. No:14, 41400 Gebze / Kocaeli
+90 (216) 709 26 00

www.t-max.com.tr